

Please read the following instructions carefully.
Keep this instruction manual for future reference.



Deluxe Wood Walk-Thru Gate



Thank you for buying the Deluxe Wood Walk-Thru Gate. This pressure-mounted gate helps you create and maintain a secure environment for your child. It has a hinged swinging door that opens easily in either direction with one hand. It also swings closed automatically. It's fully adjustable to fit openings from 29.5" to 40.5". In normal use there is no need for mounting holes that damage woodwork and walls. For added security use the mounting cups and screws that are provided.

Please read all instructions before installing the gate.

Tools required: Phillips head screwdriver (not included).

For technical support call 1-800-268-6237 or e-mail customerservice@summerinfant.com

WARNING:

This product contains small parts. Adult assembly required. Exercise care when unpacking and assembling product.

For use with children from birth and up.

WARNING:

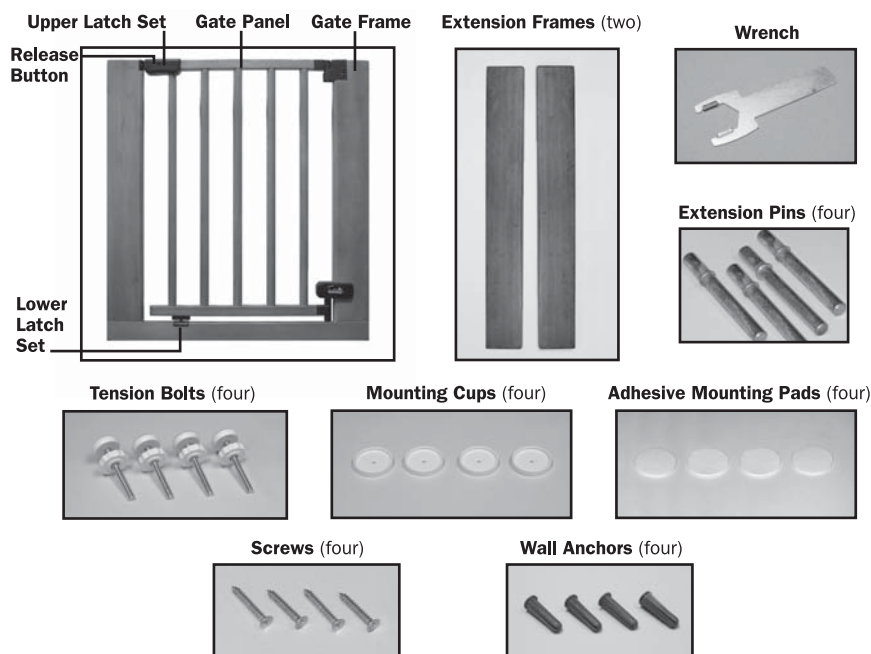
IMPORTANT! KEEP FOR FUTURE REFERENCE!

- To prevent serious injury or death, securely install gate and use according to manufacturer's instructions.
- Never use with a child able to climb over or dislodge the gate.
- Never leave child unattended.
- Use only with lock securely engaged.
- To prevent falls, never use at the top of the stairs.
- Do not use if any components are missing or damaged.
- This product is not a substitute for proper adult supervision.
- Always close gate behind you.

CAUTION:

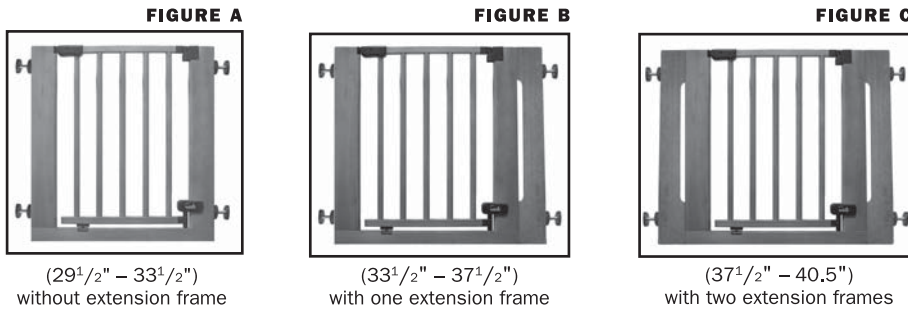
KEEP SMALL PARTS OUT OF CHILD'S REACH.

Features & Components:



Set-Up:

Step 1: Measure the width of the opening where you intend to install the gate. Please refer to the following pictures to determine the correct installation configuration.



Step 2: To use with extension frame, assemble as shown in Figure D.

Step 3: Screw the tension knobs onto the tension bolts until they contact the pads. Insert all 4 tension bolts into holes on outside and slide inward toward frame as far as possible.

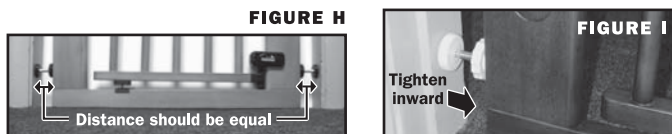
Step 4: Place the gate in the opening so that the bottom of the gate frame is completely flat on the floor, as shown in Figure E.



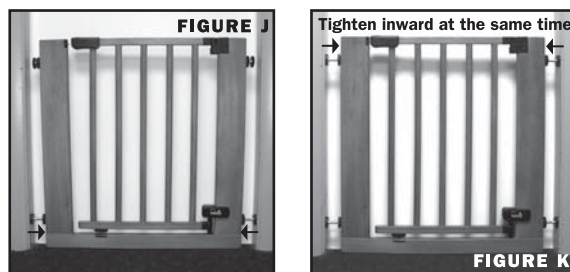
Optional mounting cup installation:

Fasten mounting cups to the doorframe or studs with screws as shown in Figure F. If mounting into wall, use wall anchors. **Note:** The adhesive mounting pads are included only for positioning the mounting cups and must be used in conjunction with screws.

Step 5: Center gate in the opening, so that the distance from the bottom of gate frame to each side wall is equal, as shown in Figure H. Use the marks etched into the wrench as a ruler. Slide the tension bolts out until the pads contact the door frame or wall. Then screw the tension knob away from the pad until it contacts the gate frame as shown in Figure I.



Step 6: Tighten both of the bottom tension knobs inward toward the frame at the same time, as shown in Figure J. Then tighten both of the top tension knobs inward toward the frame at the same time, as shown in Figure K, so that the upper latch set goes below the release button completely, as shown in Figure M.



To verify installation: Push the frame to ensure that it is secure in the opening and then push the gate panel to ensure that the upper and lower latch sets lock securely in the housings on the frame, as shown in Figures L and M.



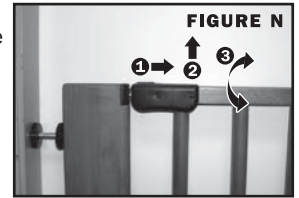
Note: Wrench is provided for final tightening of all four tension knobs (if necessary), as shown in Figure G.

Note: If gate is difficult to unlatch, top tension knobs may be too tight.

Operation:

To open the gate: (Figure N)

1. Slide the release button away from the door frame or wall.
2. Lift up the gate panel.
3. Swing open in either direction.



To close the gate:

Simply release the gate and it will close automatically. **Caution:** After closing the gate, ALWAYS check to be certain that it is latched securely.

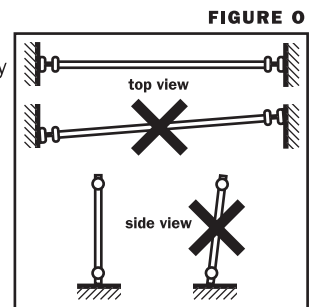
Troubleshooting:

If the gate does not stay closed:

1. The upper latch set is not properly adjusted. **Solution:** Adjust the upper tension knobs by turning them counter-clockwise to release tension or clockwise to increase tension. Ensure that the upper latch set button always remains below the release button as shown in Figure M. Also ensure that the upper latch set button engages securely when the gate swings closed and that it can be released properly when the release button is pushed.

2. Lower latch set position is too low. **Solution:** Although unusual, some door frames may be out of alignment. In this case you may have to adjust the individual tension knobs to ensure that the gate is aligned properly. Make sure the upper latch set is still below the release button as shown in Figure M.

If the gate does not stay in position, it may not be installed properly, as shown in Figure O. Remove and reinstall the gate, making sure the gate is installed correctly.



Maintenance:

1. Regularly check tension knobs and rubber pads to make sure the gate is securely in place.
2. Do not use the gate if any components are damaged or missing.
3. Wipe surface with a damp cloth or sponge, using mild detergent and warm water.

© 2004 Gruner + Jahr Publishing, Parents® and Parents Magazine Child + Safety™ are trademarks of Gruner + Jahr Printing and Publishing Co., New York, N.Y. Visit our website: www.parents.com
 Manufactured under license by Summer Infant, Inc., Lincoln, RI 02865
 Made in CHINA to Summer Infant, Inc., quality specifications
 Questions? Comments? Contact us:
 Parents c/o Summer Infant, Inc.
 6 Blackstone Valley Place, Suite 206
 Lincoln, RI 02865 USA
www.summerinfant.com
 1-800-268-6237
 Colors and styles may vary.
MADE IN CHINA