



**What to expect from your
Extra Tall Walk-Thru Gate
Model #07067B**

**Extra Tall
Walk-Thru Gate**

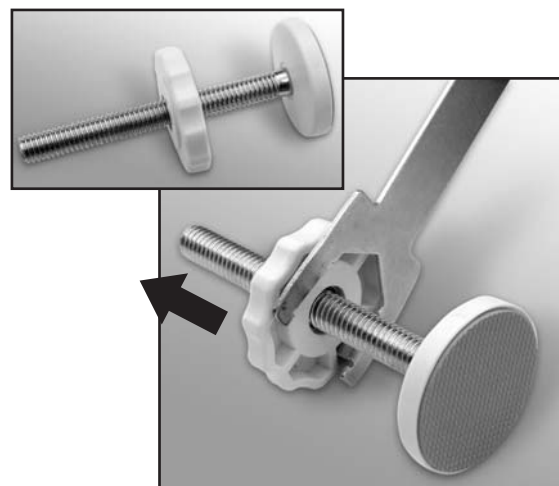
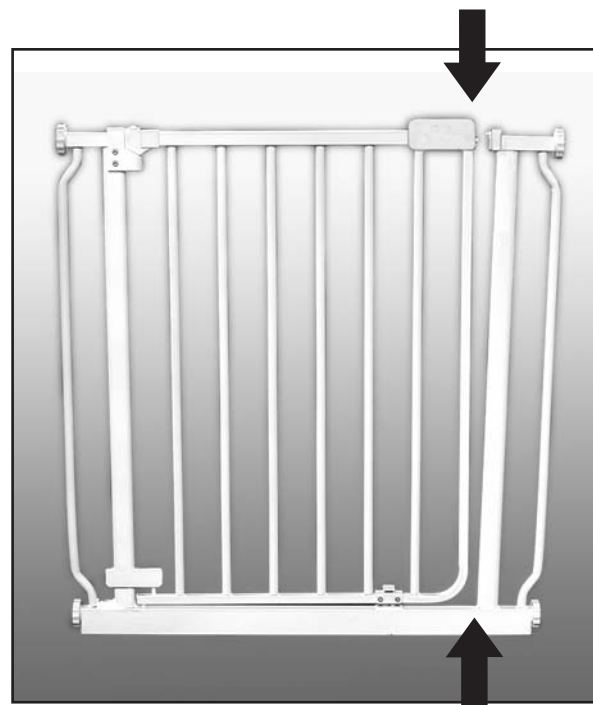
Please read these helpful hints in addition to reading your instruction manual carefully.

When you unpack the gate, you will notice it is NOT square. This is normal and not damage to the gate.

It is manufactured at a pre-set angle so that when it is installed in an opening properly, it will maintain the correct amount of tension and cannot be pushed out of the opening under normal use.

The 4 tension bolts, with adjusting knobs, simply slide into the gate frame—they do NOT screw into place.

To create tension against the walls of the opening, turn the knob on each tension bolt with the wrench provided until the gate is snug.



© 2005 Meredith Corporation, Parents © and Parents Magazine Child + Safety™ are trademarks of Meredith Corporation, New York, N.Y. Visit our website: www.parents.com
Manufactured under license by Summer Infant, Inc., Slatersville, RI 02876-0899
Made in China to Summer Infant, Inc., quality specifications
Questions? Comments? Contact us:
Parents c/o Summer Infant, Inc.
582 Great Road
P.O. Box 829
Slatersville, RI 02876-0899 USA
www.summerinfant.com
1-800-268-6237
Colors and styles may vary.
MADE IN CHINA